

# ROCKET SCHOOL BUS



Be Sure  
to Read this  
Manual  
Before Use



## Operation Manual



[www.universal-space.com](http://www.universal-space.com)

# CONTENT

Important Safety Instructions.....	2
1. SPECIFICATIONS.....	4
2. PACKAGE CONTENTS.....	5
3. PART NAME.....	6
4. SET UP & INSTALLATION.....	7
5. HOW TO PLAY.....	10
6. GAME SETTINGS.....	11
7. ERROR MESSAGE.....	11
8. MAINTENANCE & INSPECTION.....	12
9. OVERALL CONSTRUCTION.....	13

Non-technical personnel who do not have technical knowledge and Expertise should refrain from performing such work that this manual require or perform tasks which are not explained in this manual. Failing to comply can cause severe accidents such as electric shock or other serious injuries. All repairs must be performed to original manufacturer specifications.

**WARNING:** To reduce the risk of fire, electric shock or personal injury, unplug or disconnect the machine from the power supply before servicing.

Thank you for purchasing **Rocket School Bus** from Universal Space. We hope you enjoy the product.

This manual contains valuable information about how to operate and maintain your game machine properly and safely. It is intended for the owner and/or personnel in charge of product operation. Carefully read and understand the instructions.

If you need any help during installation and setup please utilize this manual and troubleshooting guide. If the product fails to function properly, *non-technical personnel should under no circumstance attempt to service the machine*. Contact your distributor or manufacturer for help.

Before use, please read **IMPORTANT SAFETY INSTRUCTIONS**.

## **IMPORTANT SAFETY INSTRUCTIONS**

**To ensure the safe usage of this product, carefully read and understand these instructions before operating your game.**

**Save these instructions for future reference.**

Use this product only as described in this manual. Other uses not recommended may cause fire, electric shock or personal injury. Unplug the game from the outlet when not in use, when moving from one location to another, and before cleaning/servicing.

Explanations which require special attention are indicated by signs of warning. Depending on the potential hazardous degree, the terms: **NOTE**, **NOTICE**, and **WARNING** are used.

**NOTE:** A NOTE indicates useful hints or information about product usage.

**NOTICE:** A NOTICE indicates potential damage to product and how to avoid the problem.

**WARNING:** A WARNING indicates a potential for product damage or serious personal injury.

It is important to understand the meaning of the following HAZARD SIGNS before continuing:

### **High Voltage and Shock Hazard:**

High voltage can cause electric shock.  
Turn off/unplug power before servicing.



### **High Temperature Hazard:**

This part may cause scalding.  
Do not touch. Surface may be hot.



### No Touching Hazard:

This part may be hot or can cause electric shock.

Do not touch.



Use the following safety guidelines to help ensure your own personal safety and to help protect your equipment and surrounding environment from potential damage.

 **This product is an indoor game machine. Do not install outdoors.**

Avoid installing in the following places to prevent fire, electric shock, injury and/or machine malfunctioning:

- Places subject to rain/moisture, or places subject to high humidity.
- Places subject to direct sunlight, or places subject to extremely hot or cold temperatures to ensure that it is used within the specified operating range.
- Places where inflammable gas may be present or in the vicinity of highly inflammable/volatile chemicals or items that can easily catch fire
- On unstable or sloped surfaces. The machine may topple or cause unforeseen accidents.
- Vicinity of fire exits, fire extinguishers etc that may block/prevent safety measures

### **IMPORTANT NOTE:**

**ALL REPAIRS MUST BE DONE TO ORIGINAL MANUFACTURER SPECIFICATIONS. FAILURE TO DO SO VOID ALL WARRANTIES AND OPERATOR ASSUMES ALL RISKS.**

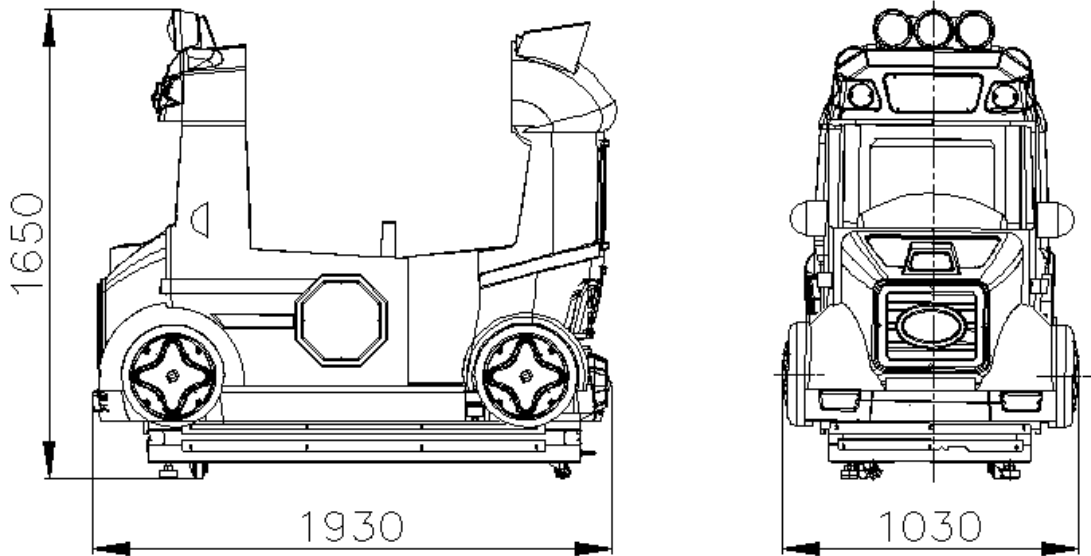
Note: The contents of this manual may be updated without notice.

# 1. SPECIFICATIONS

For 110V area
Rated power supply: AC110V 60Hz
Min. Power consumption: 100W
Max. Power consumption: 430W
Dimensions: W1930×D1030×H1650 (mm)
Weight: Approximately 200kg

For 220V area
Rated power supply: AC220V-240V 50Hz
Min. Power consumption:100W
Max. Power consumption: 430W
Dimensions: W1930×D1030×H1650 (mm)
Weight: Approximately 200kg

**! NOTICE:** After turning off the game, please wait at least 1 minute before restarting again.







**Note:** Game parameters are subject to change without notice.

**! NOTICE:** After turning off the game, please wait at least 1 minute before restarting again.

## 2. PACKAGE CONTENTS

Open the package and make sure all the items are included:

- 1 x Body Assembly
- Following accessories

NO.	Part number	Code	Name	SPEC.	Qty	Illustration
1	R113-467-000	25300171002	Key	171	3	
2	R113-418-000	21901000014	Fuse	Φ6×30mm T10A 250VAC	1	
3	R113-468-000	41440000050	Manual	manual	1	
4	R113-469-000	25300172002	Key	171B	1	


If any items are found to be missing, please contact your sales representative for help immediately.

**NOTE:** Part models are subject to change without notice.

### 3. PART NAME



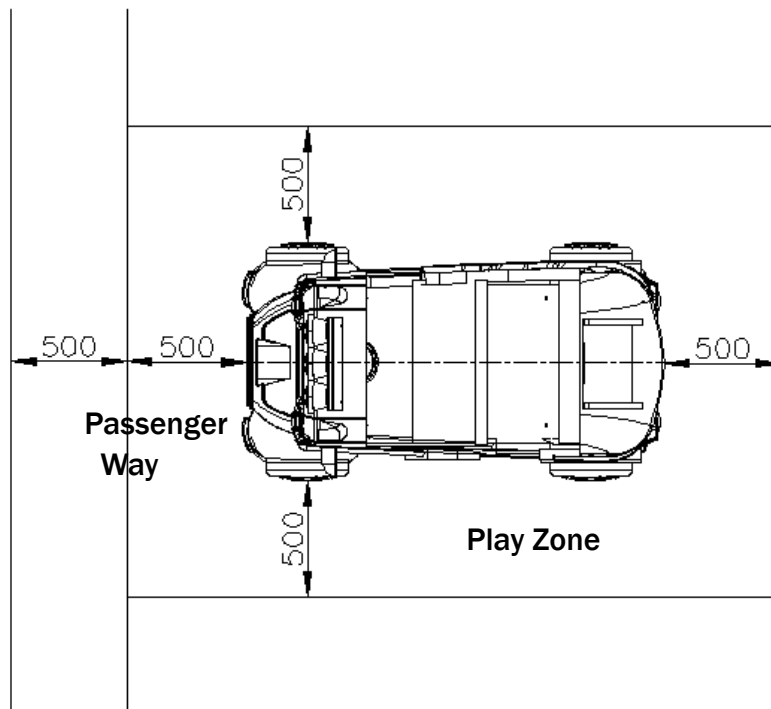
## 4. SET UP & INSTALLATION

 This product is an indoor game machine. Do not install outdoors.

- Refer to IMPORTANT SAFETY INSTRUCTIONS (Pg. 2) for places to avoid
- Place the unit on a dry level surface
- Ventilation openings in the back of the unit must not be obstructed by objects or by wall.

### 4.1 Play Zone

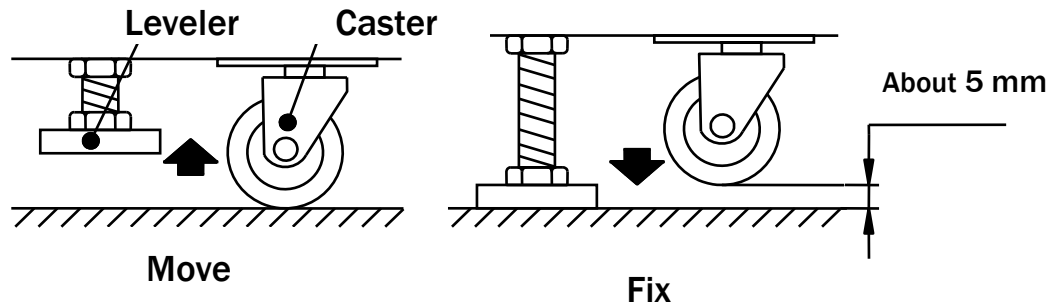
This machine requires space for playing and for maintenance as shown below. Leave space around the game upon installation:



## 4.2 Level Adjustment

Install this machine on a flat surface. Adjust levers to lift casters off the ground to level the game. If the game is installed on an unsuitable floor, it could cause game malfunction.

To secure the game, adjust the Leveler down until it touches the floor, lifting the casters off the ground by 5mm. Repeat the same for all levelers.

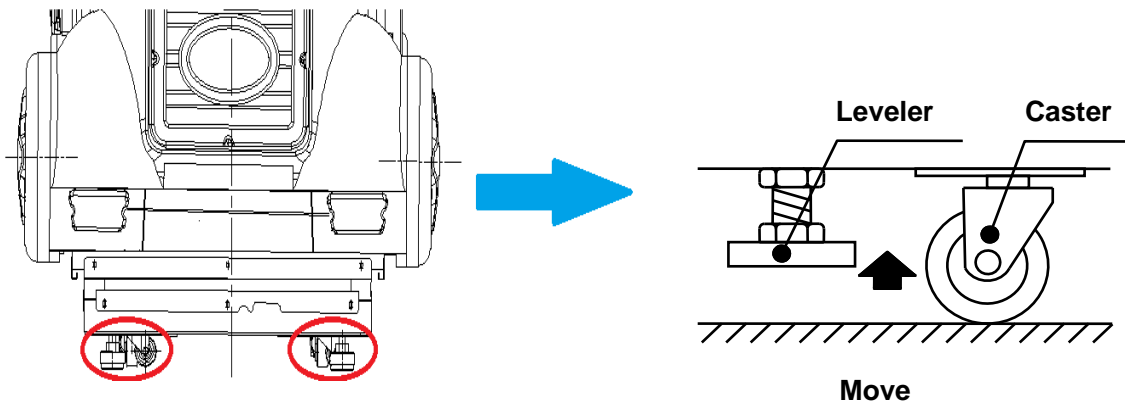


### NOTICE

Make sure the machine is level with the ground and all the adjustable legs should stick to the floor closely.

## 4.3 Transporting the Game

If you need to move the game, adjust the levelers back to an “up” position so the casters touch the ground.



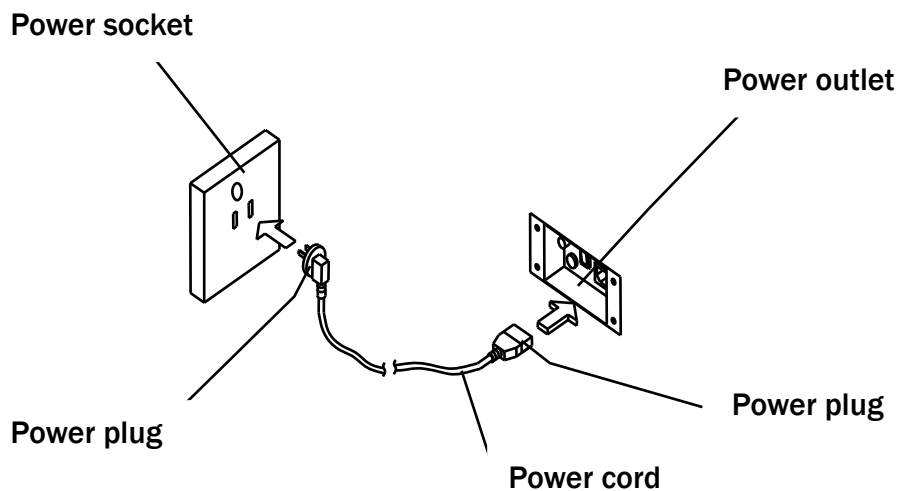
### NOTICE

- Be careful not to damage the machine during transport.
- The machine should be handled with care when bringing it down from a higher level.
- Always unplug the game before moving.
- Keep the machine in upright position during transport.
- For longer distance transport, package the game properly to prevent damages

## 4.4 Connecting Power

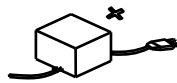
**⚠ WARNING:** Check the voltage rating before you connect the equipment to an electrical outlet to ensure that the required voltage and frequency match the available power source. Please refer the label of the machine.

- Do not plug the equipment power cables into an electrical outlet if the power cable is damaged.
- Avoid putting many loads on one electrical outlet as it could generate heat and fire resulting from overload.
- Connect the grounding conductor to the earth terminal (GND):

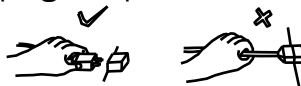


**⚠ WARNING**

Ensure no heavy objects rest on the power cord. Check to make sure the game cabinet does not sit on the power cord as this could damage the cord and become hazardous.



To disconnect the game, grip the plug and pull it from the wall outlet. Never pull by the cord.



To prevent electric shock, do not touch the power plug when hand is wet.



Ensure that nothing rests on the power cord and that it is not located where it can be stepped on or tripped over.



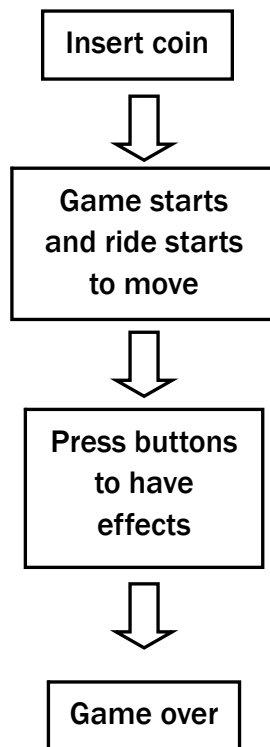
## 5. HOW TO PLAY

### 5.1 How To Play

Control the steering wheel during the game play.



### 5.2 Game Flow



## 6. GAME SETTINGS

### SW1

Item	Content	SW11	SW12
Coin per game	1	ON	ON
	2	off	on
	3	on	off
	4	off	off

Item	Content	SW13	SW14
Game time (s)	30	on	on
	45	OFF	ON
	60	on	off
	90	off	off

Item	Content	SW15	SW16	SW17
Fixed Ticket	1	on	on	on
	2	off	OFF	ON
	3	on	on	off
	5	off	off	off
	8	on	on	on
	12	off	off	on
	15	on	on	off
	0	OFF	OFF	OFF

Item	Content	SW18
Demo music	ON	on
	OFF	OFF

**\*Note: The above settings are subject to change without notice.**

## 7. ERROR MESSAGE

### 7.1 Error Message

E01:	Coin mech error	E08:	Initial position detect error	E13	Shifter D error
E03:	Settings button error	E09:	Button 1 error	E14	Shifter P error
E04:	Test button error	E10:	Button 2 error	E16	Ticket signal error
E05:	Reset button error	E11:	Button 3 error		

### 7.2 Trouble Shootings

- Please confirm whether every connector connected tightly.

Troubles	Cause	Methods
Cannot start	Frame assembly connector fall off	Please plug in connector tightly
	Frame assembly fault	Please contact with dealer
Power cutting	Circuit protector make power SW in cutting state	Please turn on power SW again. If appeared again and again, machine has anomaly. Please contact with dealer
Coin mech. no reaction	Coin mech. fault	Change coin mech.
	Coin mech. signal cable loosen	Check coin mech. signal line loosen or not
	IO control board fault	Change IO board

## 8. MAINTENANCE & INSPECTION

### 8.1 Safety Check

Check the points listed before operating the machine. These checks are necessary for safe machine operation:

1. Try to run the game before operation each day.
2. Conduct monthly routine checks of game components ensure good working condition
3. Check the machine regularly for dust and clean when necessary.

**Note:** Parts and components require preventative maintenance to be kept running smoothly

### 8.2 Handling Precautions

When installing or inspecting the machine, be very careful of the following points and pay attention to ensure that the player can enjoy the game safely.

Non-compliance with the following points or inappropriate handling running counter to the cautionary matters herein stated can cause personal injury or damage to the machine



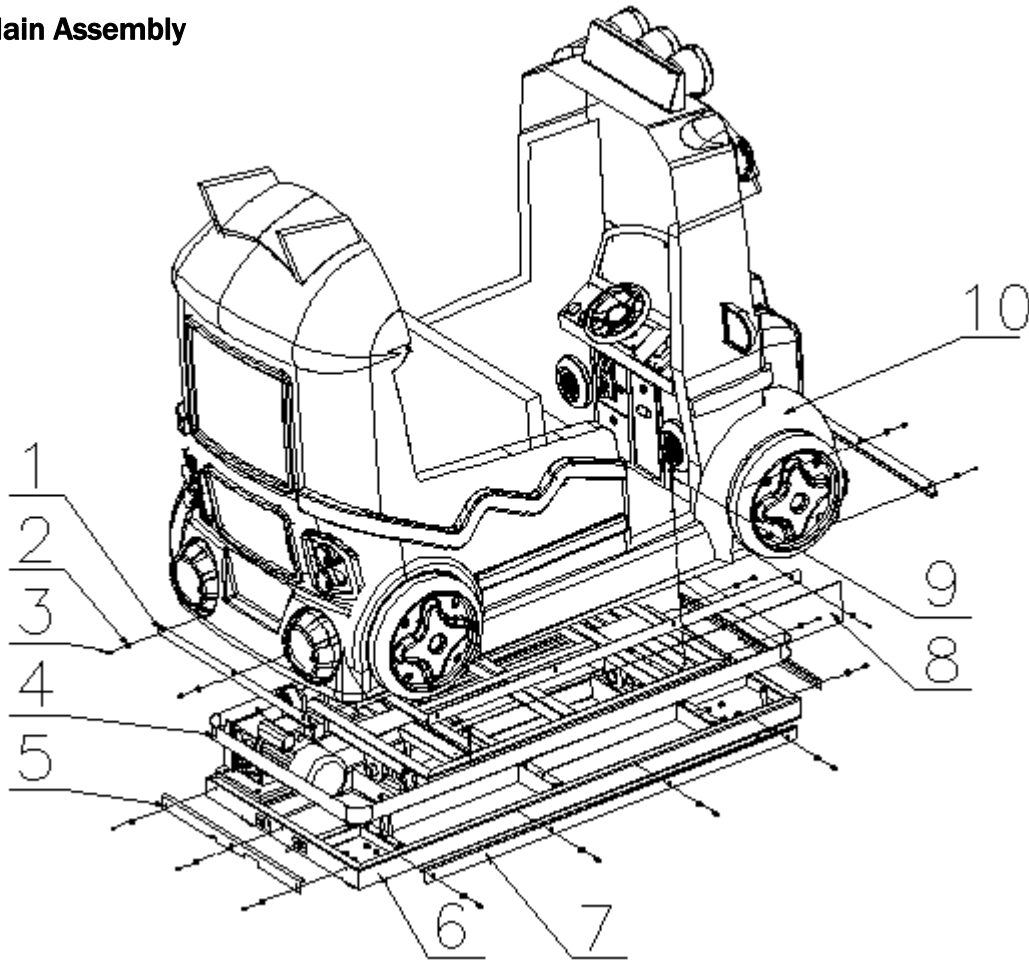
#### WARNING

- Before servicing the machine, be sure to turn power off. Servicing without turning the power off can cause electric shock or short circuit.
- To avoid electric shock or short circuit, do not plug then unplug the power quickly
- Do not expose power cords and earth wires, these are susceptible to damage.
- Damaged cords and wires can cause electric shock or short circuit and should be replaced immediately.
- When or after installing the product, avoid pulling the power cord to prevent unnecessary wear and tear. Use the power button to disconnect power.
- In case the power cord is damaged, ask for replacement through where the product was purchased from or replace locally. Continued usage of damaged cord can cause fire, electric shock or leakage.
- Perform grounding appropriately. Inappropriate grounding can cause electric shock.
- Use fuses that meet specified rating. Fuses exceeding can cause an electric shock.
- Should a problem occur, turn off the power immediately and stop operating the machine. Unplug the power cord of the service outlet. Operating the machine without correcting the problem may cause a fire or injuries.
- Insert the power plug securely into the outlet. Poor contact may cause overheating, resulting in fire or burns.
- To ensure the warning labels attached on the machine are visible and legible, install the machine in a well-lit location, and keep the labels clean at all times. Make sure the labels are not hidden behind other game machines.

## 9. OVERALL CONSTRUCTION

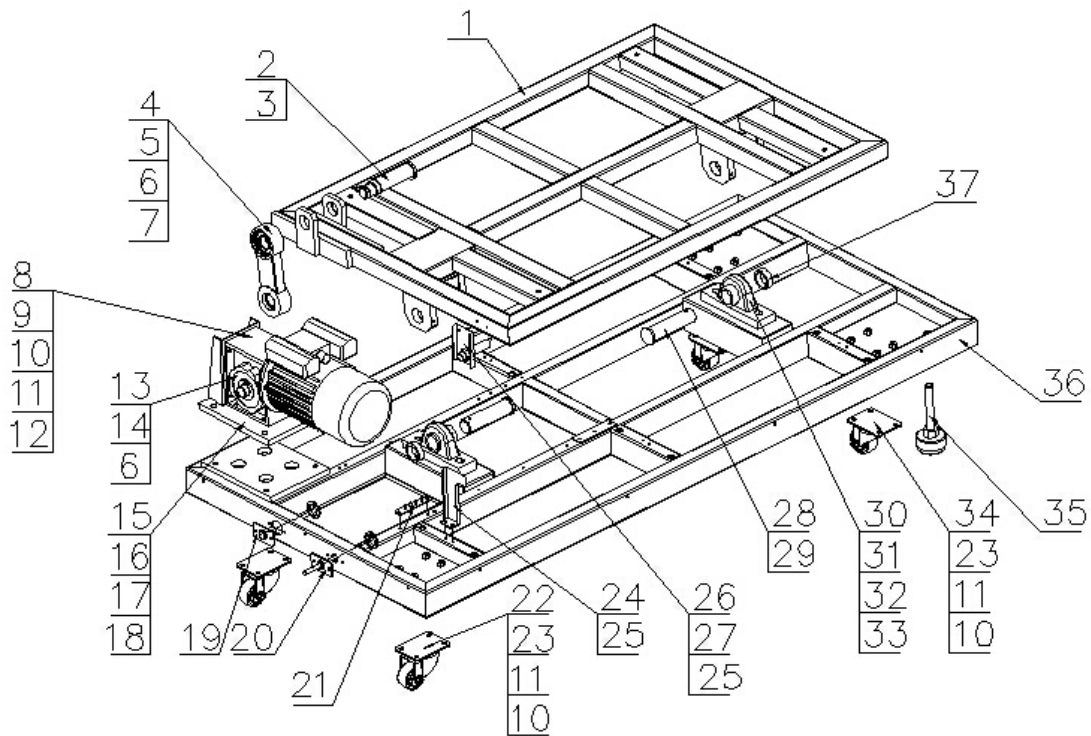
### 9.1 Mechanical Part

#### 9.1.1 Main Assembly



No.	Part No.	Code No	Name	SPEC./Material	Qty
1	R113-314-000	20251301068	Skirt mounted plate C	Q235	2
2	R113-101-000	20113010053	C flat washer	Q235	28
3	R113-102-000	20101010029	Cross recessed pan head screw	Q235	28
4	R113-009-000	29951301013	Protected frame assy.	Assembly	1
5	R113-313-000	20251301067	Skirt mounted plate B	Q235	2
6	R113-001-000	29951301001	Drive mechanism	Assembly	1
7	R113-312-000	20251301066	Skirt mounted plate A	Q235	4
8	R113-318-000	20251301071	Protected plastic	PVC	2
9	R113-103-000	20101048007	Hexagon flat round head screws	Q235	4
10	R113-004-000	29951301A004	Cabinet mechanism	Assembly	1

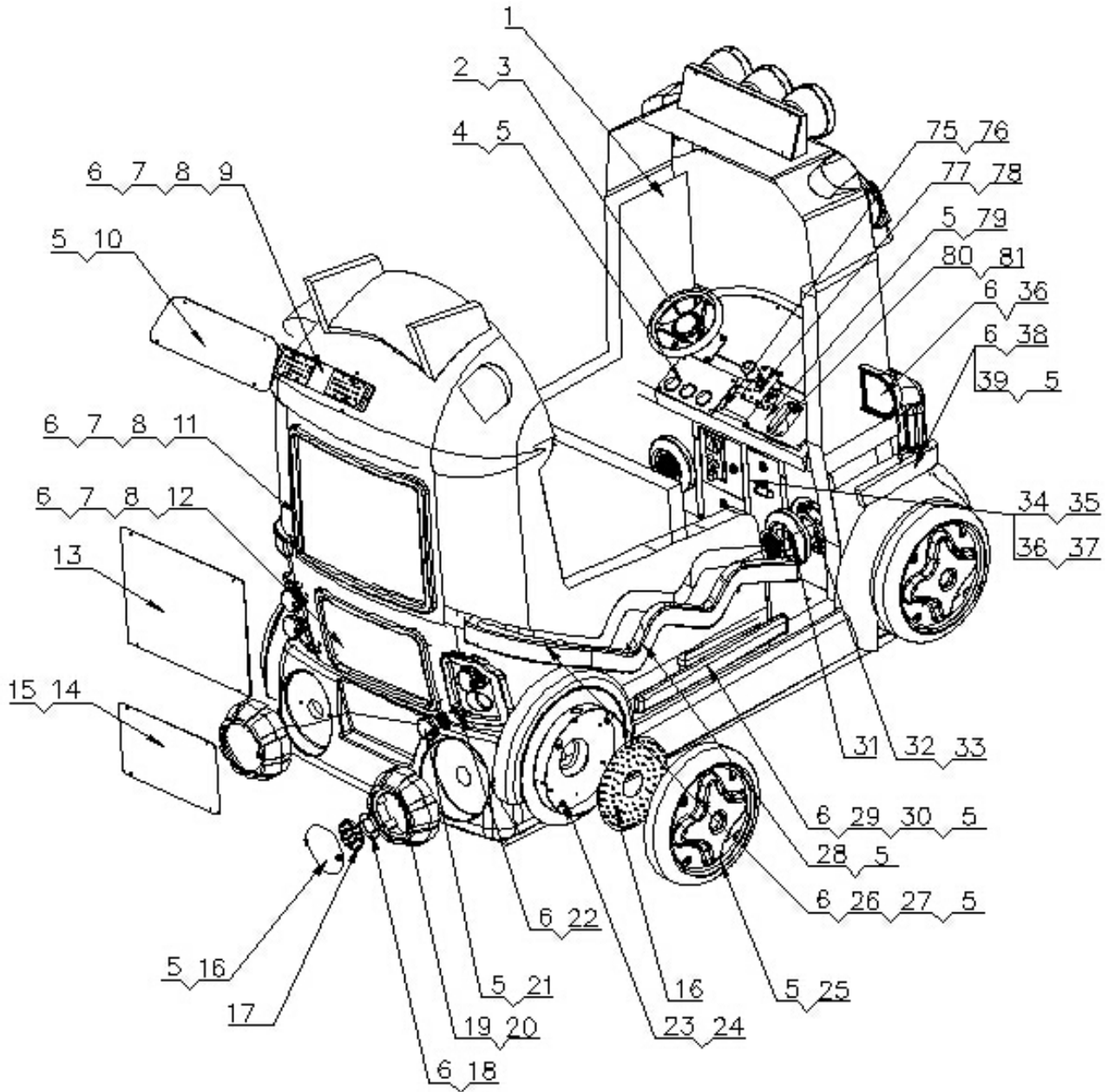
9.1.2 Drive Mechanism

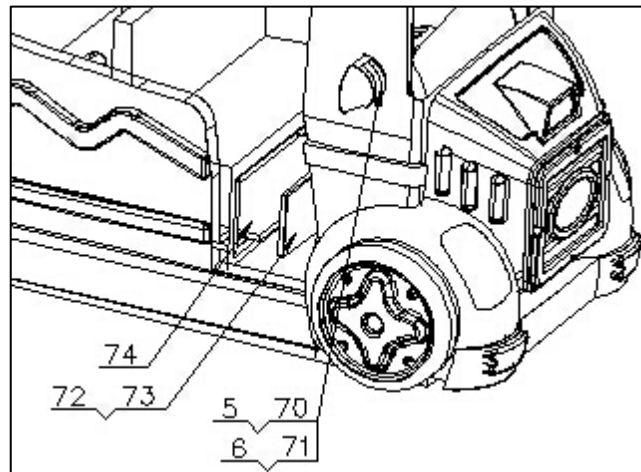
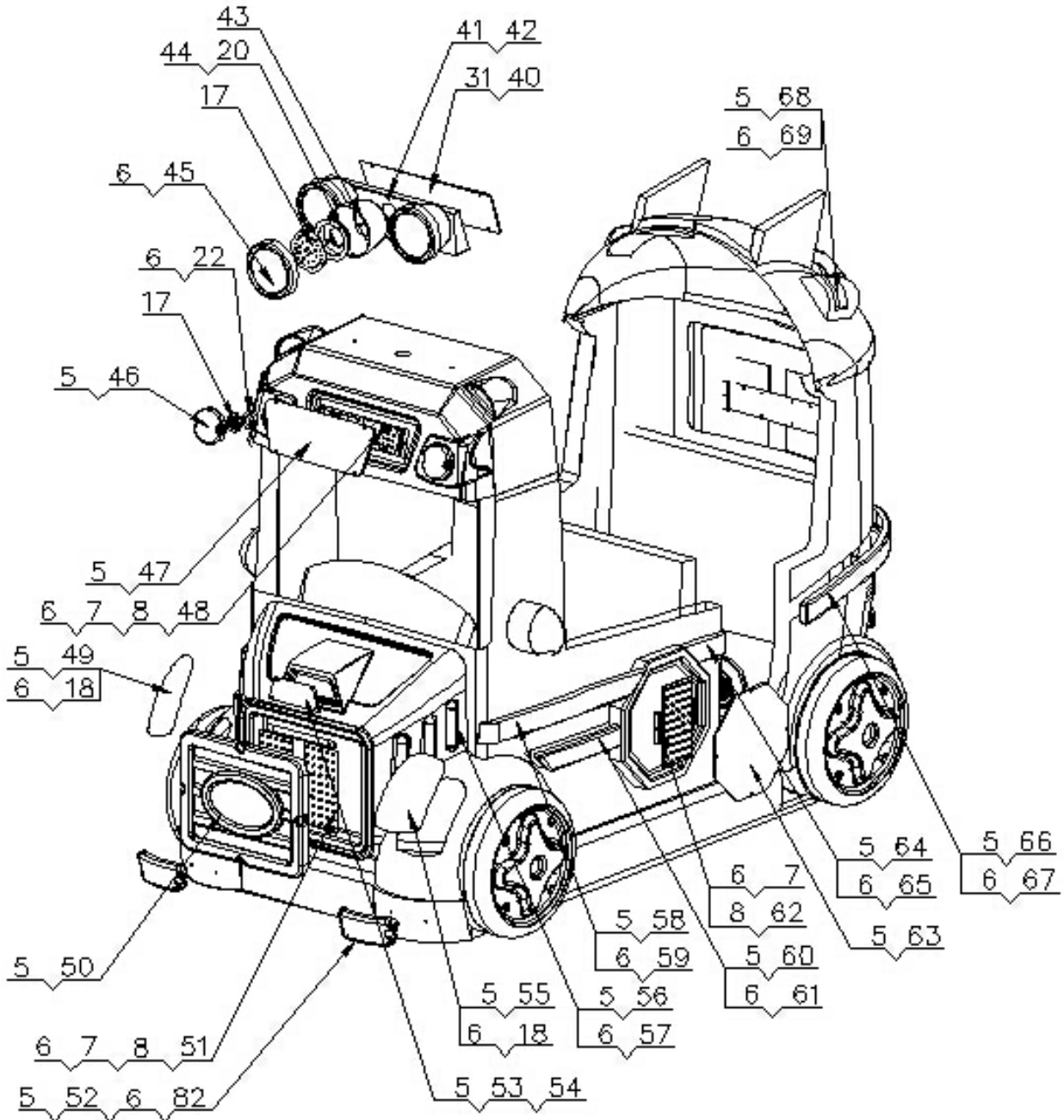


No.	Part No.	Code No.	Name	SPEC./Material	Qty.
1	R113-003-000	29951301003	Movable frame	Assembly.	1
2	R113-237-000	20251301040	Connected rod	45#	1
3	R113-105-000	20105000024	A type circlip for shaft	Q235	1
4	R113-228-000	20251301031	Connected part	Black	1
5	R113-403-000	20106000057	Deep groove ball BD.	6205zz	2
6	R113-106-000	20105000197	A type circlip for shaft	Q235	3
7	R113-107-000	20105000210	A type circlip for hole	Q235	2
8	R113-401-000	23405010010	Motor	YL7124-220V 370W 14rev/min	1
9	R113-108-000	20104040030	Hexagon bolt	M8×30	1
10	R113-109-000	20113000005	Standard spring washer	8×2h	24
11	R113-110-000	20113000051	C flat washer	8×1.6h	24
12	R113-111-000	20102000013	Hexagon nut	Q235	8
13	R113-229-000	20251301032	Eccentric shaft	40Cr	1
14	R113-402-000	20115080006	General A type flat key	Q235	1
15	R113-236-000	20251301039	Motor mounted bracket	δ12mm/δ3mm	1
16	R113-112-000	20104000008	Hexagon nut	Q235	4
17	R113-113-000	20113000102	Standard spring washer	Q235	4
18	R113-114-000	20113000052	C flat washer		4
19	R113-235-000	20251301038	Fuse mounted plate	δ2	1
20	R113-234-000	20251301037	Hold cable plate	δ2	1
21	R113-233-000	20251301036	GND plate	Metal	1

No.	Part No.	Code No.	Name	SPEC./Material	Qty.
22	R113-406-000	25501000063	Fixed caster	3-3688-52	2
23	R113-115-000	20104100030	Hexagon bolt	Stainless steel	16
24	R113-230-000	20251301033	Reset plate	Q235	1
25	R113-104-000	20101000024	Cross recessed pan head screw	M4×12	4
26	R113-231-000	20251301034	Reset SW bracket	Q235	1
27	R113-421-000	21501000004	Sensor	E3F-DS10C4/ NPN-NO	1
28	R113-226-000	20251301029	Connected shaft	φ35x120	2
29	R113-116-000	20107000116	Cotter	d5×30	2
30	R113-404-000	20106130158	Spherical surface ball BD. with seat	NAP206	2
31	R113-117-000	20104031004	Hexagon bolt	Q235	4
32	R113-118-000	20113000004	Standard spring washer	Q235	4
33	R113-119-000	20113000054	C flat washer	Q235	4
34	R113-405-000	25501000062	Movable caster	3-3689-52	2
35	R113-232-000	20251301035	Leveller	Q235	2
36	R113-002-000	29951301002	Base frame	Assembly	1
37	R113-227-000	20251301030	Shaft sleeve	Q235	2

9.1.3 Cabinet Part



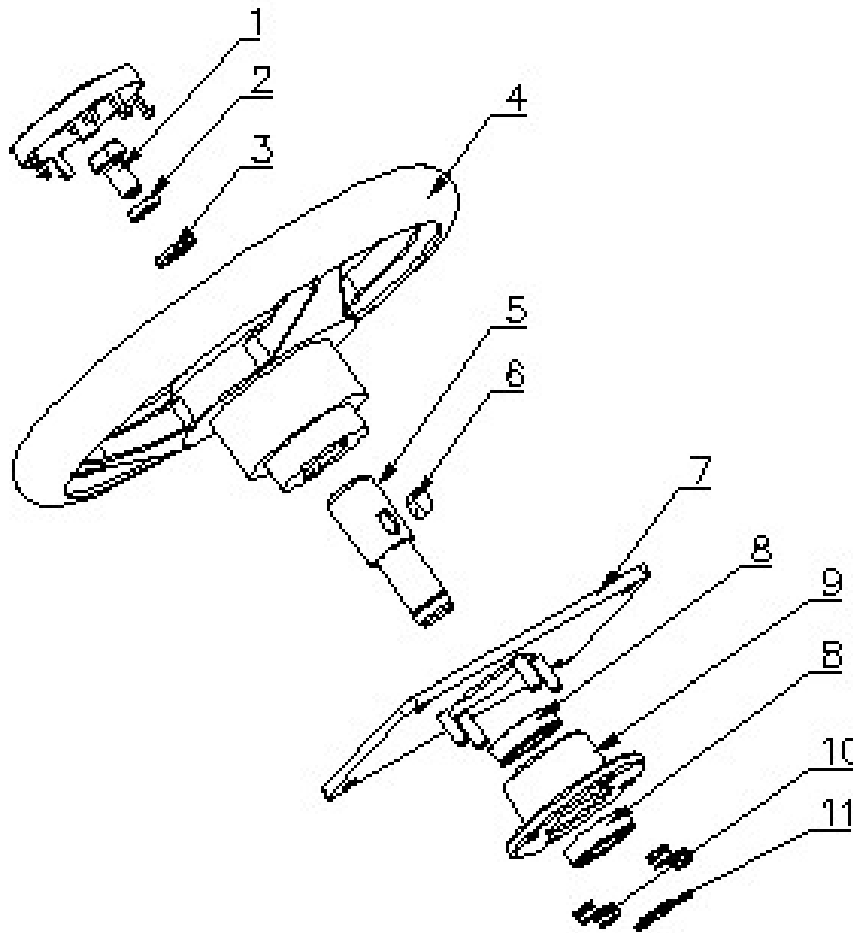


No.	Part No.	Code No.	Name	SPEC./Material	Qty
1	R113-005-000	29951301005	Cabinet	Assembly	1
2	R113-006-000	29951301007	Steering wheel assy.	Assembly	1
3	R113-120-000	20101010010	Cross recessed sunk head screw	Q235	4
4	R113-708-000	20551301B008	Control panel plastic	Clear plastic	1
5	R113-121-000	20101000007	Hexagon flat round head screws	M4×20	86
6	R113-122-000	20103100009	Cross recessed pan head self-tapping screw	Stainless steel	60
7	R113-123-000	20101000021	Cross recessed pan head screw	M3×16	36
8	R113-124-000	20102030043	Hexagon nut	Q235	36
9	R113-242-000	20651301001	Rear upper light bracket	PVC	1
10	R113-704-000	20551301B004	Rear upper light plastic	Clear plastic	1
11	R113-243-000	20651301002	Rear big light bracket		1
12	R113-244-000	20651301003	Rear small light bracket		1
13	R113-705-000	20551301005	Rear big light plastic	Clear PVC	1
14	R113-310-000	20251301064	Fan mounted plate	Q235	1
15	R113-156-000	20101010049	Cross recessed pan head screw	Q235	4
16	R113-245-000	20651301004	Big taillight cover	Red clear plastic	2
17	R113-125-000	20101000101	Cross recessed pan head screw	Q235	36
18	R113-246-000	20251301044	Big taillight cover bracket	Metal	4
19	R113-247-000	20451301002	Big taillight holder	Fiberglass	2
20	R113-126-000	20101000052	Cross recessed pan head screw		10
21	R113-248-000	20651301005	Small taillight cover	Yellow clear plastic	2
22	R113-249-000	20251301045	Small taillight cover bracket	Metal	6
23	R113-250-000	20251301046	Wheel mounted bracket	Q235	4
24	R113-127-000	20103100005	Cross recessed pan head self-tapping screw	Stainless steel	26
25	R113-251-000	20651301006	Wheel plastic	White plastic	1
26	R113-252-000	20651301007	Right side light cover D	White plastic	1
27	R113-253-000	20651301008	Light belt mounted plastic	PVC	1
28	R113-255-000	20651301010	Right side light cover C	White plastic	1
29	R113-256-000	20651301011	Right side light cover B	White plastic	1
30	R113-257-000	20651301012	Light belt mounted plastic B	PVC	1
31	R113-327-000	26000057001	Speaker light cover	Clear PC	4
32	R113-311-000	20251301065	Speaker light bracket	Metal	4

No.	Part No.	Code No.	Name	SPEC./Material	Qty
33	R113-128-000	20101000025	Cross recessed pan head screw	M4×16	20
34	R113-326-000	26000056000	Coin door assy.	Assembly	1
35	R113-129-000	20104000018	Big step bolt	M4×30	8
36	R113-306-000	20251301061	Counter bracket	Metal	1
37	R113-130-000	20102030011	Hexagon flange nut	Q235	8
38	R113-262-000	20651301013	Right side light cover A	White plastic	1
39	R113-263-000	20651301014	Light belt mounted plastic C	PVC	1
40	R113-264-000	20251301051	Top light bracket cover	Q235	1
41	R113-265-000	20251301052	Top light bracket	Q235	1
42	R113-131-000	20101108005	Hexagon flat round head screws	Stainless steel	2
43	R113-266-000	20651301015	Top light bottom cover	ABS	3
44	R113-267-000	20251301053	Top light socket	Q235	3
45	R113-268-000	20651301016	Top light cover	White plastic	3
46	R113-270-000	20651301018	Top side light	Red clear plastic	3
47	R113-702-000	20551301B002	Top marquee light	Clear plastic	1
48	R113-271-000	20651301019	Top marquee bracket	PVC	1
49	R113-272-000	20651301020	L headlight	Yellow clear plastic	1
50	R113-701-000	20551301B001	Head decal	Clear plastic	1
51	R113-273-000	20651301021	Head light cover bracket	PVC	1
52	R113-274-000	20651301022	Head bottom light cover	Yellow clear plastic	2
53	R113-275-000	20651301023	Front small light cover	White plastic	1
54	R113-276-000	20651301024	Front small light mounted plate	PVC	1
55	R113-277-000	20651301025	R headlight cover	Yellow clear plastic	1
56	R113-278-000	20651301026	Small cooling cover	White plastic	6
57	R113-279-000	20651301027	Small cooling light bracket	PVC	6
58	R113-280-000	20651301028	L side cover A	White plastic	1
59	R113-281-000	20651301029	Light belt mounted plate D	PVC	1
60	R113-282-000	20651301030	L side cover B	Yellow clear plastic	1
61	R113-283-000	20651301031	Light belt mounted plate E	PVC	1
62	R113-284-000	20651301032	L side light bracket	PVC	1
63	R113-703-000	20551301B003	Left side light	Clear plastic	1
64	R113-285-000	20651301033	L side light cover C	White plastic	1
65	R113-286-000	20651301034	Light belt mounted plate F	PVC	1
66	R113-287-000	20651301035	L side light cover D	White plastic	1
67	R113-288-000	20651301036	Light belt mounted plate G	PVC	1
68	R113-289-000	20651301037	Back top light cover	White plastic	2

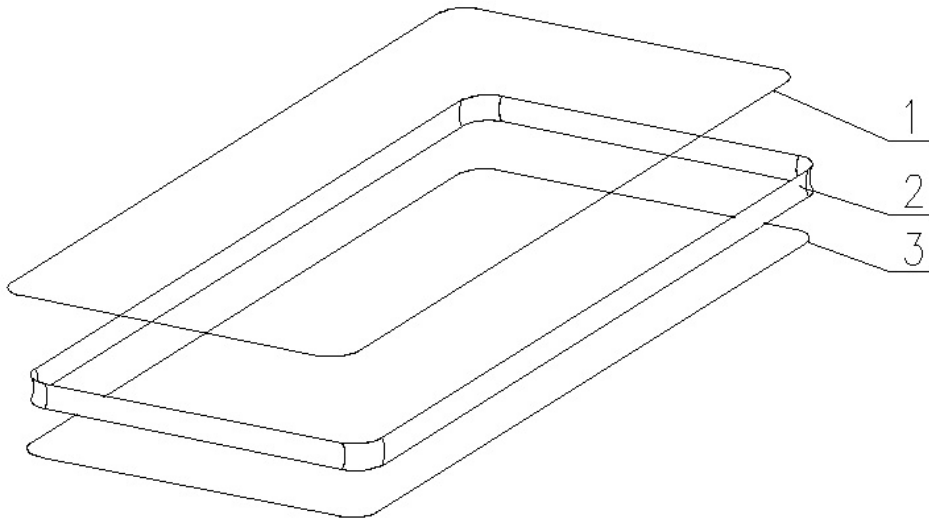
No.	Part No.	Code No.	Name	SPEC./Material	Qty
69	R113-290-000	20651301038	Light cover mounted plate	PVC	2
70	R113-291-000	20651301039	Rearview mirror cover	Yellow clear plastic	2
71	R113-292-000	20651301040	Rearview mirror light cover mounted plate	PVC	2
72	R113-293-000	20251301054	Service door	Q235	1
73	R113-294-000	20251301055	Service door frame	Q235	1
74	R113-512-000	20351301011	Electric mounted plate	Plywood	1
75	R113-299-000	20251301057	Steering wheel reinforced plate	Q235	1
76	R113-132-000	20101000010	Cross recessed sunk head screw	M5×20	2
77	R113-008-000	29951301010	Shifter assy.	Assembly	1
78	R113-133-000	20101000011	Hexagon flat round head screws	M5×25	4
79	R113-706-000	20551301B006	Control panel decal B	Clear plastic	1
80	R113-304-000	20251301060	Shifter fixed bracket	Metal	1
81	R113-134-000	20101010018	Cross recessed sunk head screw	Q235	4
82	R113-305-000	20651301044	Head bottom light mounted plate	PVC	2
83	R113-007-000	29951301009	Meter panel assy.	Assembly	1
84	R113-131-000	20101108005	Hexagon flat round head screws	Stainless steel	2

9.1.4 Steering Wheel Part



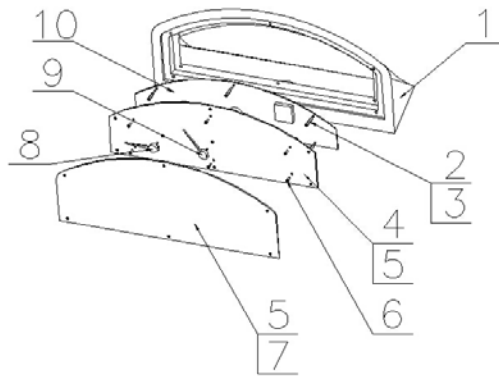
No.	Part No.	Code No.	Name	SPEC./Material	Qty
1	R113-135-000	20104001002	Hexagon bolt	Q235	1
2	R113-109-000	20113000005	Standard spring washer	8×2h	1
3	R113-110-000	20113000051	C flat washer	8×1.6h	1
4	R113-407-000	41106000020	Steering wheel	Red	1
5	R113-239-000	20251301041	Steering wheel shaft	Q235	1
6	R113-409-000	20115060003	General A type flat key	Q235	2
7	R113-241-000	20251301043	Steering wheel holder	Q235	1
8	R113-410-000	20106000064	Deep groove ball BD.	61902	2
9	R113-240-000	20251301042	BD. sleeve	Q235	1
10	R113-136-000	20102040002	Non-metallic hexagon lock nut	Q235	4
11	R113-137-000	20105010022	A type circlip for shaft	do15 black	1

### 9.1.5 Base Protection Part



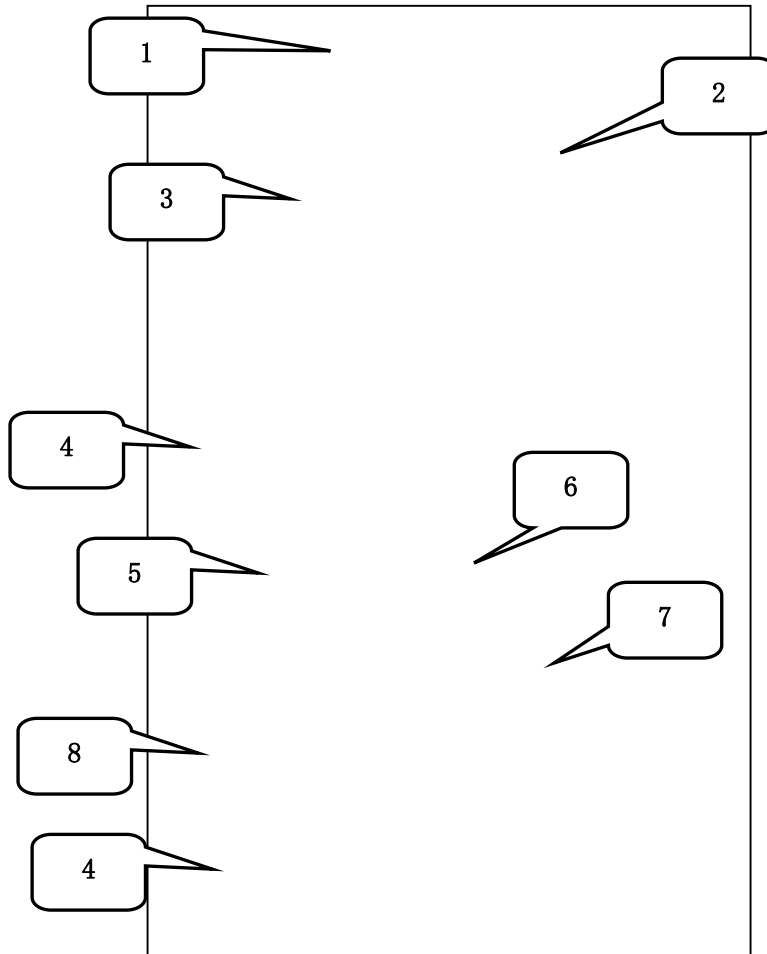
No.	Part No.	Code No.	Name	SPEC./Material	Qty
1	R112-305-000	20251301069	Protected frame A	φ4 Steel rod	1
2	R112-307-000	20651301046	Protected skirt		1
3	R112-306-000	20251301070	Protected frame B	φ4 Steel rod	1

### 9.1.6 Meter Panel Part



No.	Part No.	Code No.	Name	SPEC./Material	Qty
1	R113-295-000	20451301003	Meter panel	Fiberglass	1
2	R113-296-000	20251301056	Hexagon bolt	Brass	6
3	R113-153-000	20102000010	hexagon flange nut	M3	6
4	R113-707-000	20551301007	Meter panel plastic	Clear plastic	1
5	R113-154-000	20101108018	Hexagon flat round head screws	Stainless steel	6
6	R113-155-000	20101100101	Cross recessed pan head screw	Stainless steel	6
7	R113-297-000	20651301041	Cover plastic	Clear plastic	1
8	R113-411-000	20251301001	Meter needle 1		1
9	R113-412-000	20251301002	Meter needle 2		1
10	R113-298-000	20651301042	Display pad	Black nylon	1

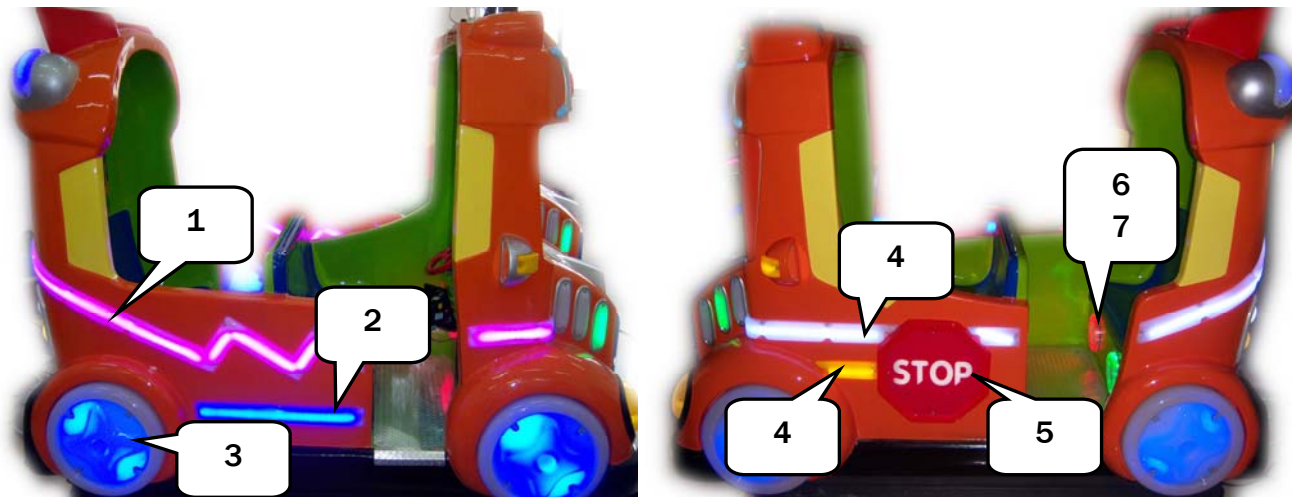
## 9.2 Mechanical Part



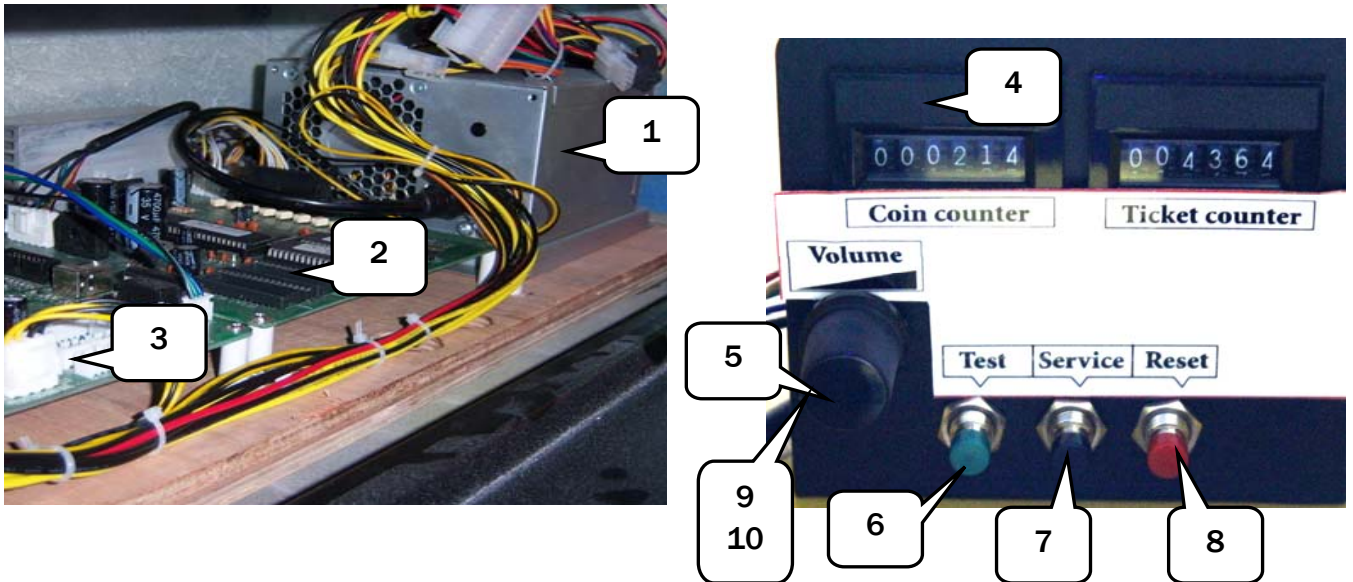
No.	Part No.	Code No.	Name	SPEC./Material	Qty
1	R113-452-000	29751302004	Top head light board	XYWCQ-LED01.PCB	3
2	R113-447-000	29741003001	Marquee LED light board	HHXYS-LED02.PCB(V1.0)	4
3	R113-449-000	29751301004	White light LED board	TJXS-PGLED.PCB(V1.0) white	2
4	R113-454-000	22002013003	White light belt	DC12V 3528LED 60pcs/m	2.1
5	R113-456-000	22002013009	Green light belt	DC12V 3528LED 60pcs/m	0.6
6	R113-455-000	22002013004	Blue light belt	DC12V 3528LED 60pcs/m	1
7	R113-448-000	20740917004	Front light board	LED01-XMJZ.PCB(V1.0)	2
8	R113-450-000	29740917004	Bottom LED board	HHXYS-LED01.PCB(V1.0)	2



No.	Part No.	Code No.	Name	SPEC./Material	Qty
1	R113-447-000	29741003001	Marquee LED light board	HHXYS-LED02.PCB(V1.0)	4
2	R113-455-000	22002013004	Blue light belt	DC12V 3528LED 60pcs/m	1
3	R113-454-000	22002013003	White light belt	DC12V 3528LED 60pcs/m	1
4	R113-457-000	22702010025	DC fan	XW-1238M12S DC12V 0.4A	1
5	R113-449-000	29751301004	White light LED board	TJXS-PGLED.PCB(V1.0)	4
6	R113-450-000	29740917004	Bottom LED board	HHXYS-LED01.PCB(V1.0)	2



No.	Part No.	Code No.	Name	SPEC./Material	Qty
1	R113-453-000	22002013002	RGB light belt	DC12V 5050LED 3 color LED	2
2	R113-455-000	22002013004	Blue light belt	DC12V 3528LED 60pcs/m	
3	R113-451-000	29751301005	Blue LED light board	BBGS-A2.PCB(V1.0) blue	4
4	R113-454-000	22002013003	White light belt	DC12V 3528LED 60pcs/m	
5	R112-449-000	29740917007	White light pcb board	LED01-XMJZ.PCB(V1.0)	1
6	R113-444-000	29751301003	Speaker light board	LED-SP.PCB(V1.0)	2
7	R113-445-000	22801000047	Speaker	4", 8Ω, 15W	2
8	R113-430-000	22401210001	Button	middle size(blue)37	3
9	R113-433-000	22404020014	Shifter	BL (round head)	1
10	R113-434-000	22301000001	Coin mech	Comparator	1
11	R113-435-000	23100000006	Ticket dispenser	CL-022Q-386	1

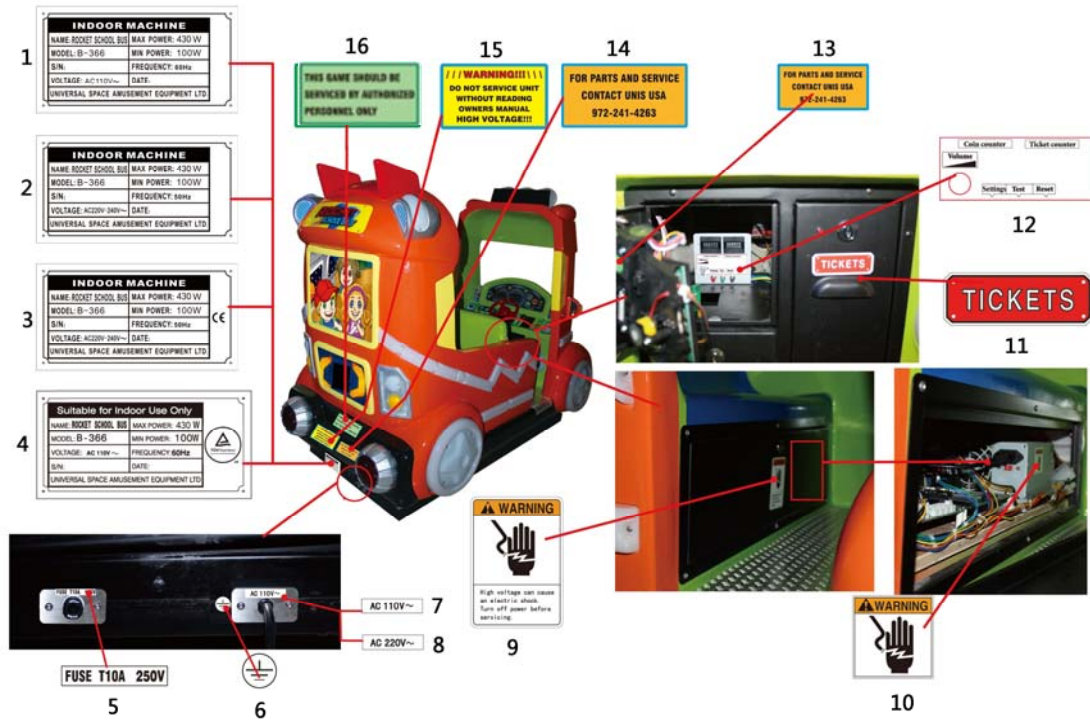


No.	Part No.	Code No.	Name	SPEC./Material	Qty
1	R113-424-000	21602000001	Power supply	BTX-3039(110V220V)	1
2	R113-427-000	21702000012	Music board	SY-MUSIC01 PCB(1.1)	1
3	R113-460-000	21701000029	M3 main board	M3_MB.PCB 150×200×2.0mm	1
4	R113-437-000	23000000006	Counter	C-012 12VDC 18CPS	2
5	R113-443-000	22403000001	POT knob	Black	1
6	R113-439-000	22402030002	Green button	PB:11C02R	1
7	R113-440-000	22402050001	Black button	PB:11C02R	1
8	R113-438-000	22402010002	Red button	PB:11C02R	1
9	R113-441-000	21709000002	POT pcb.	VR.PCB	1
10	R113-442-000	22501000006	POT	10K	1

### 9.3 Decal Part

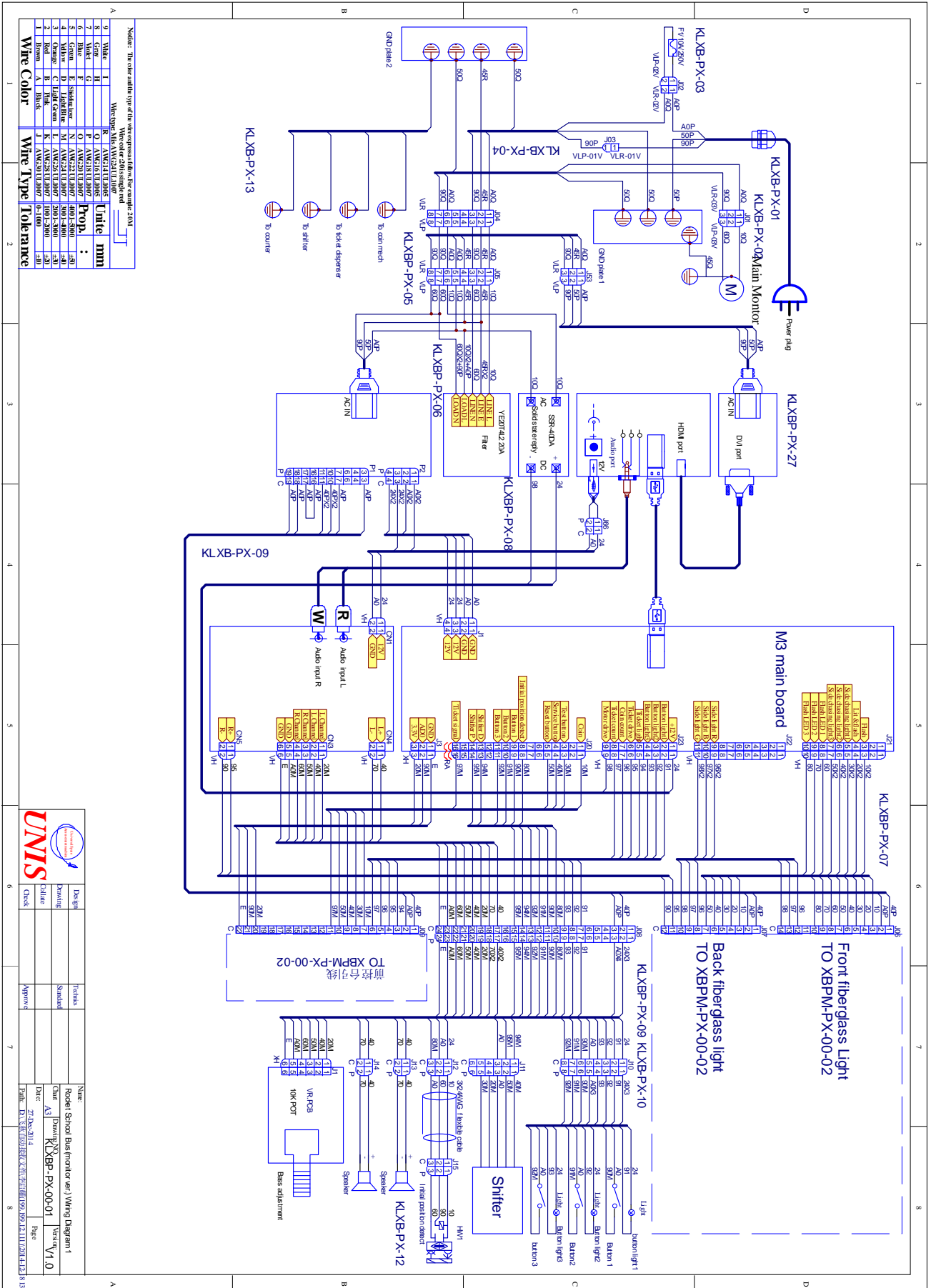


No.	Part No.	Draw No.	Name	SPEC./Material	Qty
1	R113-712-000	20551301012	Top light decal	PVC100u sticker	2
2	R113-702-000	20551301B002	Top marquee light	Clear plastic	1
3	R113-715-000	20551301B014	Seat back decal	PVC100u sticker	1
4	R113-704-000	20551301B004	Rear upper light plastic	Clear plastic	1
5	R113-705-000	20551301005	Rear big light plastic	Clear PVC	1
6	R113-703-000	20551301B003	Left side light	Clear plastic	1
7	R113-701-000	20551301B001	Head decal	Clear plastic	1
8	R113-710-000	20551301B010	Front logo sticker	PVC100u sticker	1
9	R113-711-000	20551301011	Front window sticker	PVC100u sticker	1
10	R113-709-000	20551301009	Back fan sticker	PVC100u sticker	1
11	R113-708-000	20551301B008	Control panel plastic	Clear plastic	1
12	R113-721-000	20551301B025	Button 1 sticker	PVC100u sticker	1
13	R113-722-000	20551301B026	Button 2 sticker	PVC100u sticker	1
14	R113-723-000	20551301B027	Button 3 sticker	PVC100u sticker	1
15	R113-706-000	20551301B006	Control panel decal B	Clear plastic	1
16	R113-716-000	20551301A015	Meter panel right sticker	PVC100u sticker	1
17	R113-707-000	20551301007	Meter panel plastic	Clear plastic	1
18	R113-714-000	20551301A014	Meter panel left sticker	PVC100u sticker	1
19	R113-713-000	20551301013	Tail top light sticker	PVC100u sticker	1

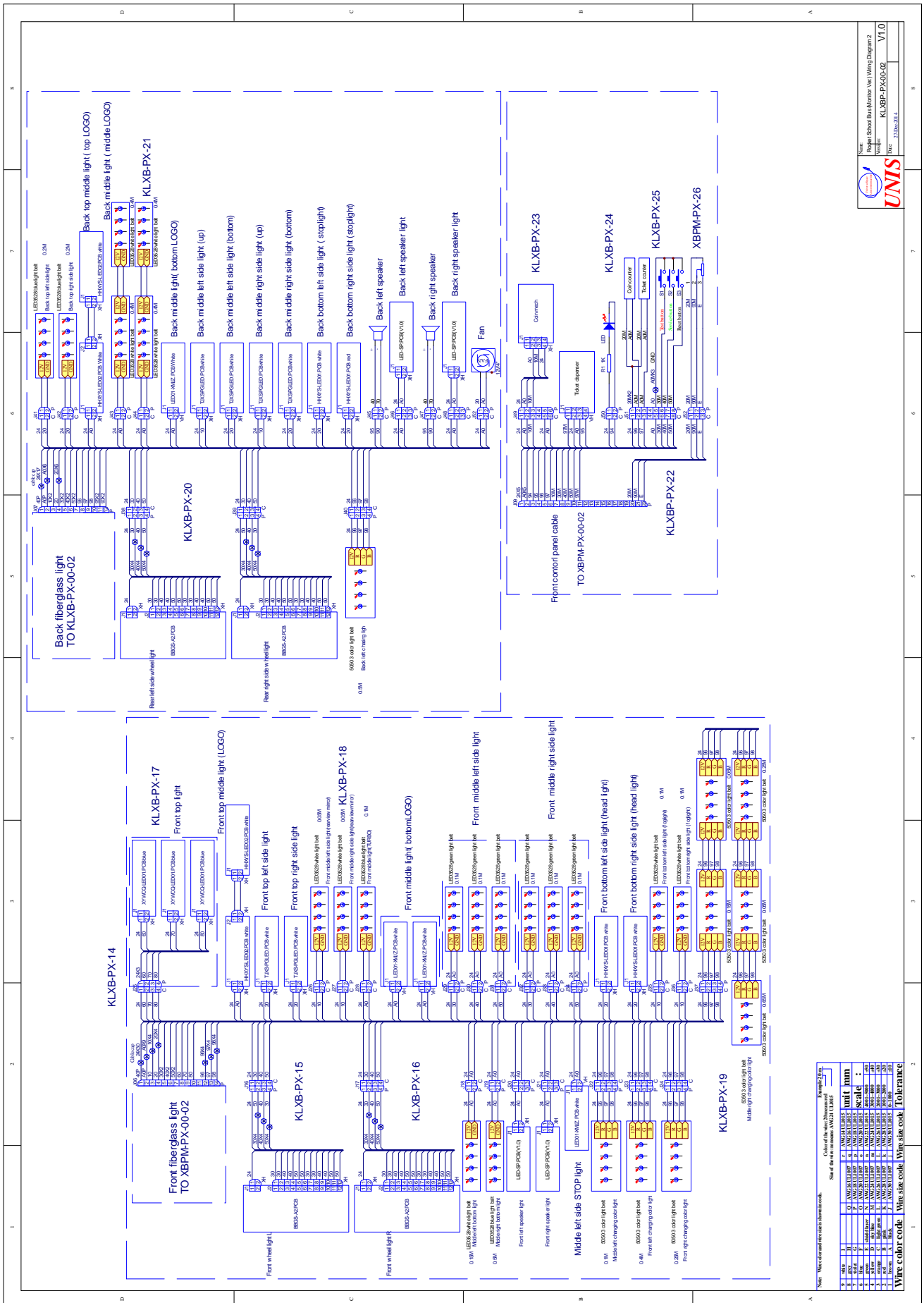


No.	Part No.	Draw No.	Name	SPEC./Material	Qty
1	R113-717-000	20551301B019	Uncertified 110V nameplate	1mmPVC	1
2	R113-718-000	20551301B020	Uncertified 220V nameplate	1mmPVC	1
3	R113-719-000	20551301B021	CE nameplate	1mmPVC	1
4	R113-720-000	20551301B022	TUV nameplate	1mmPVC	1
5	R113-732-000	25600000077	Fuse label	PVC100u sticker	1
6	R113-733-000	25600000091	GND label	PVC100u sticker	1
7	R113-730-000	25600000071	110V label	PVC100u sticker	1
8	R113-731-000	25600000072	25600000072	PVC100u sticker	1
9	R113-727-000	25600000037	Warning label L	PVC100u sticker	2
10	R113-726-000	25600000036	Warning label S	PVC100u sticker	3
11	R113-725-000	25600000034	Ticket label	PVC100u sticker	1
12	R113-724-000	25600000100	Counter label	PVC100u sticker	1
13	R113-735-000	25600000096	Service contact label S	PVC100u sticker	1
14	R113-734-000	25600000095	Service contact label L	PVC100u sticker	1
15	R113-729-000	25600000067	Warning label	PVC100u sticker	1

# Wiring Diagram



Design	Drawn	Checked	Approved	Name	Date	Page
KLXB-PX-00-01	KLXB-PX-00-01	KLXB-PX-00-01	KLXB-PX-00-01	Rocket School Bus (monitor ver.) Wiring Diagram 1	27 Dec 2014	1/10




  
 Name: Rocket School Bus Manual (New Wiring Diagram 2)
   
 Version: KLXB-PX-00-02
   
 Date: 23/03/2014
   
 V1.0

Note: Wire size and wire color in column reference.

Color of the wire is shown in the legend.

Size of the wire is in mm AWG & LB/FT.



Wire	Color	Wire size	Wire size code	Tolerance
1	Blue	0.25	AWG 24	±0.1
2	Red	0.25	AWG 24	±0.1
3	Green	0.25	AWG 24	±0.1
4	Yellow	0.25	AWG 24	±0.1
5	Black	0.25	AWG 24	±0.1
6	White	0.25	AWG 24	±0.1
7	Brown	0.25	AWG 24	±0.1
8	Purple	0.25	AWG 24	±0.1
9	Pink	0.25	AWG 24	±0.1
10	Grey	0.25	AWG 24	±0.1
11	Orange	0.25	AWG 24	±0.1
12	Light Blue	0.25	AWG 24	±0.1
13	Light Green	0.25	AWG 24	±0.1
14	Light Yellow	0.25	AWG 24	±0.1
15	Light Purple	0.25	AWG 24	±0.1
16	Light Pink	0.25	AWG 24	±0.1
17	Light Grey	0.25	AWG 24	±0.1
18	Light Orange	0.25	AWG 24	±0.1
19	Light Light Blue	0.25	AWG 24	±0.1
20	Light Light Green	0.25	AWG 24	±0.1
21	Light Light Yellow	0.25	AWG 24	±0.1
22	Light Light Purple	0.25	AWG 24	±0.1
23	Light Light Pink	0.25	AWG 24	±0.1
24	Light Light Grey	0.25	AWG 24	±0.1
25	Light Light Orange	0.25	AWG 24	±0.1
26	Light Light Light Blue	0.25	AWG 24	±0.1
27	Light Light Light Green	0.25	AWG 24	±0.1
28	Light Light Light Yellow	0.25	AWG 24	±0.1
29	Light Light Light Purple	0.25	AWG 24	±0.1
30	Light Light Light Pink	0.25	AWG 24	±0.1
31	Light Light Light Grey	0.25	AWG 24	±0.1
32	Light Light Light Orange	0.25	AWG 24	±0.1
33	Light Light Light Light Blue	0.25	AWG 24	±0.1
34	Light Light Light Light Green	0.25	AWG 24	±0.1
35	Light Light Light Light Yellow	0.25	AWG 24	±0.1
36	Light Light Light Light Purple	0.25	AWG 24	±0.1
37	Light Light Light Light Pink	0.25	AWG 24	±0.1
38	Light Light Light Light Grey	0.25	AWG 24	±0.1
39	Light Light Light Light Orange	0.25	AWG 24	±0.1
40	Light Light Light Light Light Blue	0.25	AWG 24	±0.1
41	Light Light Light Light Light Green	0.25	AWG 24	±0.1
42	Light Light Light Light Light Yellow	0.25	AWG 24	±0.1
43	Light Light Light Light Light Purple	0.25	AWG 24	±0.1
44	Light Light Light Light Light Pink	0.25	AWG 24	±0.1
45	Light Light Light Light Light Grey	0.25	AWG 24	±0.1
46	Light Light Light Light Light Orange	0.25	AWG 24	±0.1
47	Light Light Light Light Light Light Blue	0.25	AWG 24	±0.1
48	Light Light Light Light Light Light Green	0.25	AWG 24	±0.1
49	Light Light Light Light Light Light Yellow	0.25	AWG 24	±0.1
50	Light Light Light Light Light Light Purple	0.25	AWG 24	±0.1
51	Light Light Light Light Light Light Pink	0.25	AWG 24	±0.1
52	Light Light Light Light Light Light Grey	0.25	AWG 24	±0.1
53	Light Light Light Light Light Light Orange	0.25	AWG 24	±0.1
54	Light Light Light Light Light Light Light Blue	0.25	AWG 24	±0.1
55	Light Light Light Light Light Light Light Green	0.25	AWG 24	±0.1
56	Light Light Light Light Light Light Light Yellow	0.25	AWG 24	±0.1
57	Light Light Light Light Light Light Light Purple	0.25	AWG 24	±0.1
58	Light Light Light Light Light Light Light Pink	0.25	AWG 24	±0.1
59	Light Light Light Light Light Light Light Grey	0.25	AWG 24	±0.1
60	Light Light Light Light Light Light Light Orange	0.25	AWG 24	±0.1





Have Questions? Contact us!

[www.universal-space.com](http://www.universal-space.com)

 <b>International Support Center</b>	 <b>USA Support Center</b>
Tel: +1-905-477-2823 Fax: +1-905-477-2660 Email: <a href="mailto:service@universal-space.com">service@universal-space.com</a> (Contact: Clement Yau)	Tel: 972-241-4263 Fax: 214-919-4918 Email: <a href="mailto:tsnelling@unisusasupportcenter.com">tsnelling@unisusasupportcenter.com</a> (Contact: Tim Snelling)